

eurolaser

Partner for your success.

TEXTILE Laser Cutting System



Invest to your future.




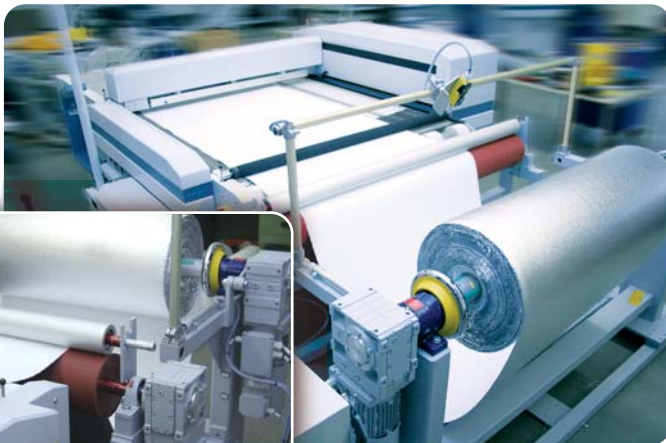
www.eurolaser.com

For many companies, acquiring a laser system means entering into a whole new world of technology, one which opens up hitherto undreamed-of possibilities.

We will give you thorough advice in the preliminary stages and produce samples and process specimens to ensure exact compliance with your specific product requirements. Our employees are, of course, always ready with consistent support before and after the system is installed. The ready-to-plug-in systems offer the latest "sealed-off laser technology".

Our worldwide success is based on:

- Systems that are ready for connection and energy efficient
- Modular concept and units that are interchangeable
- Moving system from the world market leader 
- Cost transparency achieved by individual service
- Worldwide service
- High conservation of value
- Software-independent



Automatic material supply by feeding unit



A laser system - yes or no?

Whether or not a laser system is feasible for a company depends primarily on the question of its application. If the focus is on **flexibility** in combination with **high precision and quality of the cuts**, then the use of laser should certainly be considered. **Sample cuts** of the materials used, that can be provided by eurolaser at any time, mean that you can take your time comparing production times and quality.



Engraving of fleece



Fused edges - no seaming necessary

Advantages

- Fusion of the cutting edges, so no preliminary or reworking is required
- Precise and filigree cuts
- No tool wear
- No fabric distortion due to stress-free material feeding
- Automatic edge control with the roll-off system
- distortion-free unloading of the parts

Options:

- Automatic material feeding via a conveyor system
- Marking system e.g. for sewing lines
- Camera system with intelligent software for automatic cutting of printed textiles with adjustment calculation for the distortion
- Extension of the table surface and much, much more



Flexible applications



Lasercutting of printed materials by camera recognition

Advantages of the laser cutting of textiles

	Sealed edges (synthetics / natural)	Fine details	Accuracy	Flexibility	No fabric distortion	Drawing	Tool endurance	Multilayer
Laser	●● / —	●●	●●	●●	●●	●	●●	●
Knife	— / —	◐	●	●	—	—	◐	●
Punch	— / —	◐	●	—	●	—	●	●

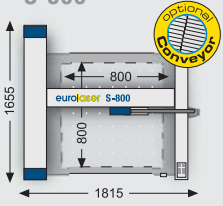
●● very good / very high

● good

◐ limited / very small

TEXTILE Laser Cutting System

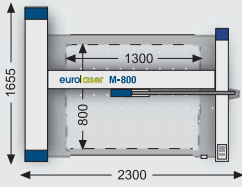
S-800



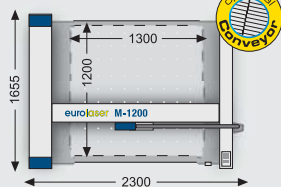
Different system size suitable for your applications.

S-Line

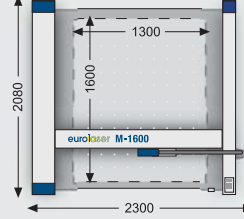
M-800



M-1200



M-1600

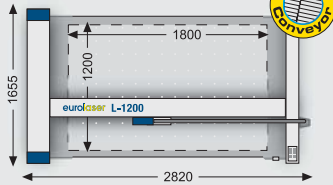


In addition to the static table designs, the marked systems are also available as conveyor systems and can be delivered with table extension and / or feeding unit.

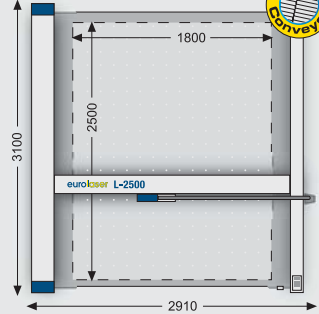


M-Line

L-1200

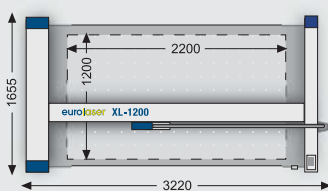


L-2500

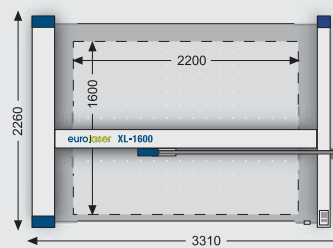


L-Line

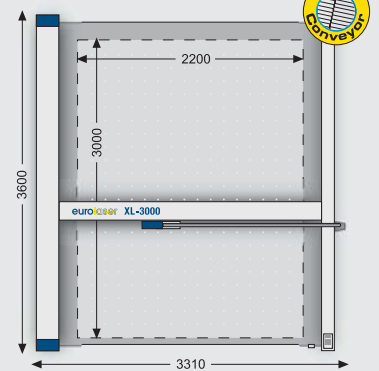
XL-1200



XL-1600



XL-3000



XL-Line

Laser Cutting System with table extension and feeding unit.

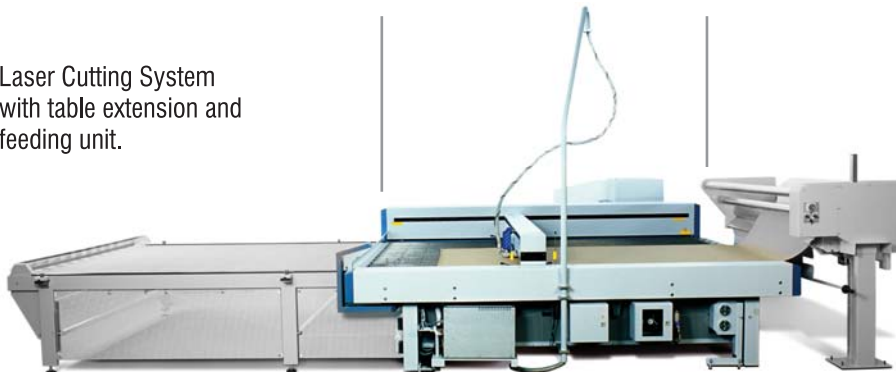
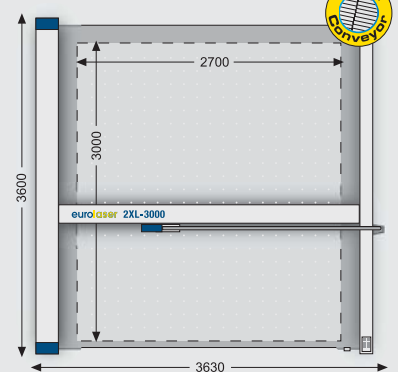


Table extension (enables cutting and unloading at the same time)

Conveyor Laser Cutting System (wire mesh belt for stress-free material feeding)

Feeding unit (automatic material feeding)

2XL-3000



2XL-Line

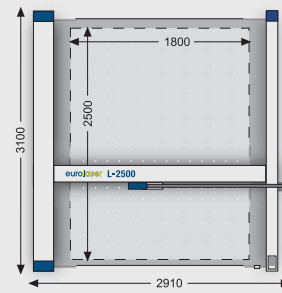
Your way
to us!

eurolaser worldwide



Example system:

L-2500*



Working area:
approx. 1,800 x 2,500mm
(71" x 99")

with table extension:
approx. 1,800 x 5,400 mm
(71" x 213")

* other system sizes available

Technical Data:

Mean static repeatability:**	+/- 0.02 mm / 0.0008"
Resolution of measuring system:	0.005 mm / 0.0002"
Addressable resolution:	0.01 mm / 0.0004"
Portal clearance:	20 - 65 mm 0.79" - 2.6"
Speed:	1 - 1,000 mm / s 0.04" / s - 39.4" / s
Acceleration:	max. 5 m / s ² max. 197" / s

** of the motion system

eurolaser

Partner for your success.

eurolaser GmbH

Gluesinger Straße 76 - 78
21217 Seevetal
GERMANY

Telephone:

+ 49 (0) 4105 155-500
+ 49 (0) 700 eurolaser

Fax:

+ 49 (0) 4105 155-555

E-Mail:

sales@eurolaser.com

Internet:

www.eurolaser.com



DIN EN ISO 9001:2000
Zertifikat: 01 100 060219